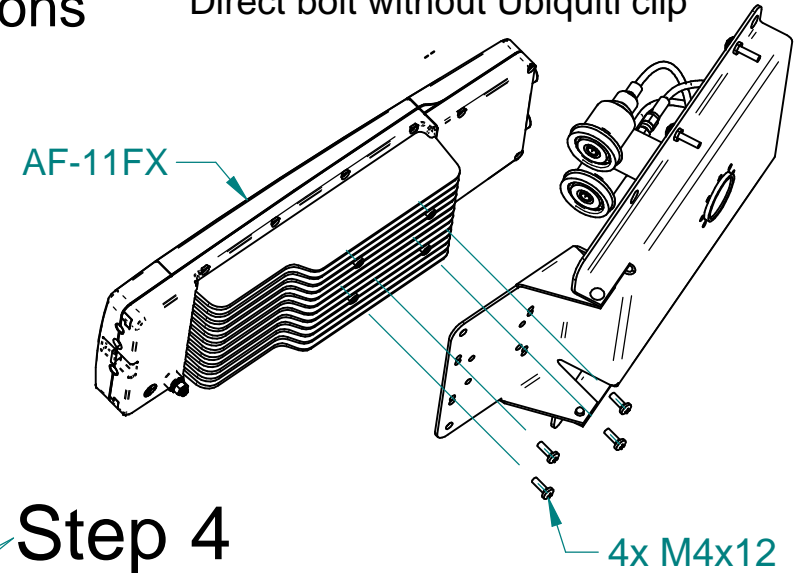


JXAF-11

Assembly Instructions

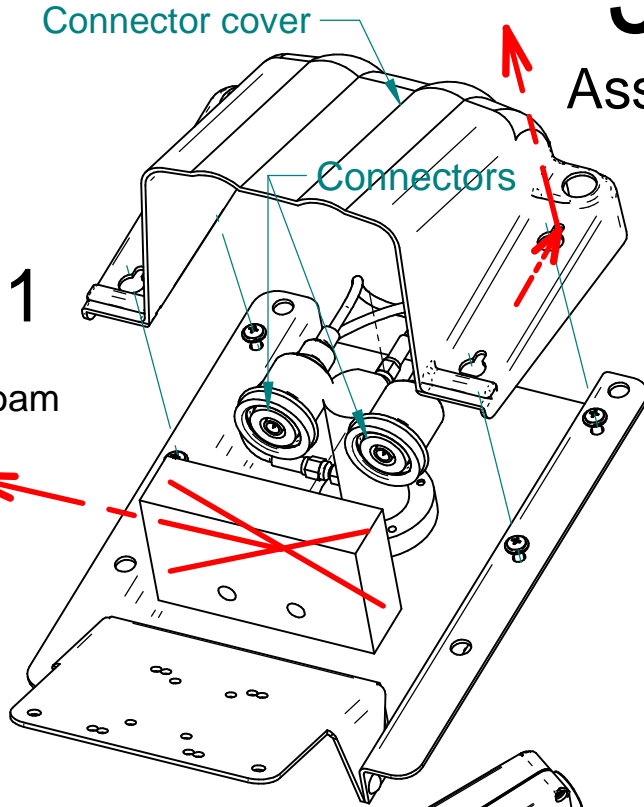
Step 3

Direct bolt without Ubiquiti clip



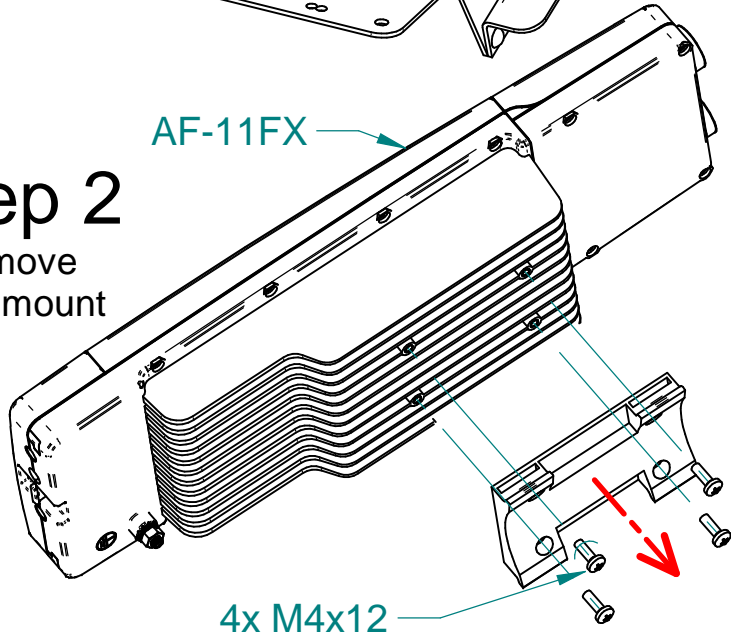
Step 1

Remove Protective Foam



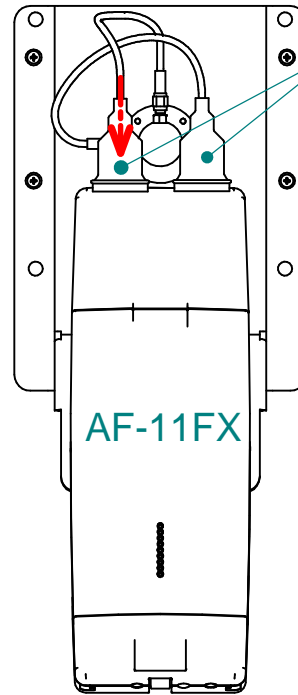
Step 2

Remove Slide mount



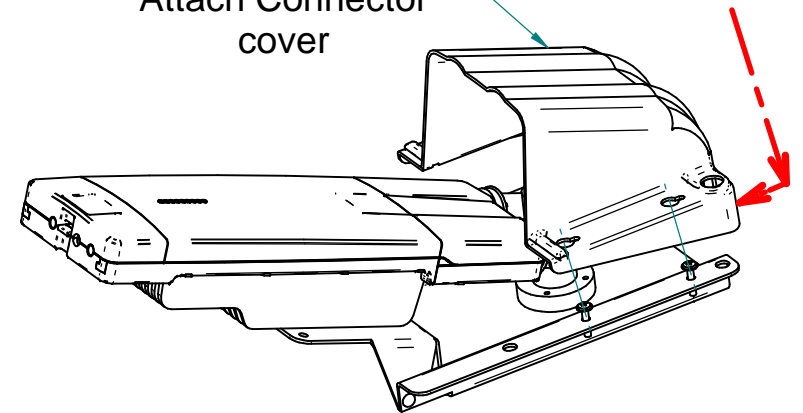
Step 4

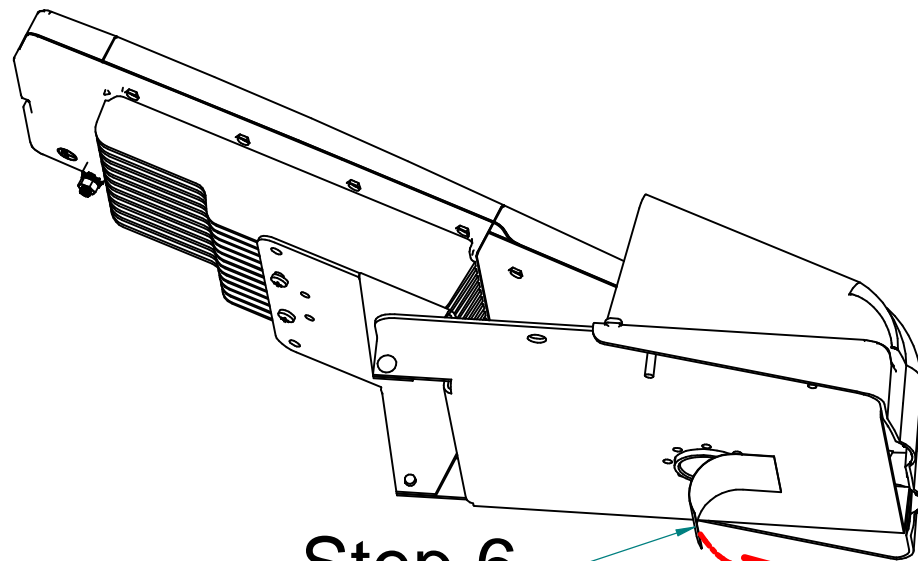
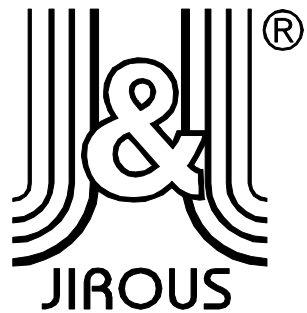
Attach connectors and silicon boots



Step 5

Attach Connector cover





Step 6

Peel off safety foil

Step 7

Attach adapter mount to antenna.
Secure using 4 M8x12 screws.

